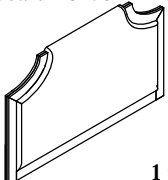
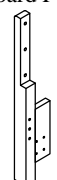
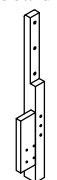
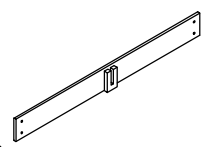




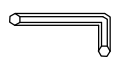


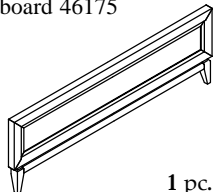
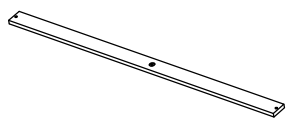

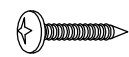
Warning :

- Be sure to check all packing material carefully for small parts, which may have come loose inside the carton during shipment.
- To prevent possible scratches and damage, this furniture **MUST BE ASSEMBLED BY TWO PEOPLE** on a soft surface such as a blanket or carpet.

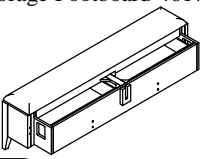
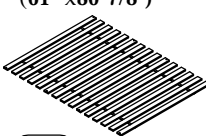
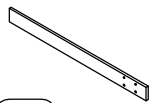
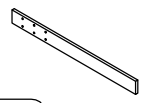








Hardware and Parts packed with the Headboard

<p>Uph Headboard 46170</p>  <p>(H-A) 1 pc.</p>	<p>Headboard Post (Left)</p>  <p>(H-B) 1 pc.</p>	<p>Headboard Post (Right)</p>  <p>(H-C) 1 pc.</p>	<p>Headboard stretcher</p>  <p>(H-D) 1 pc.</p>	
<p>Ø5/16"x 18 x 1- 1/2" Allen Head Bolt</p>  <p>(H-E) 4 pcs.</p>	<p>Ø5/16"x 18 x 2- 1/4" Allen Head Bolt</p>  <p>(H-F) 6 pcs.</p>	<p>Ø5/16" Spring Washer</p>  <p>(H-G) 10 pcs.</p>	<p>Ø5/16" x 19*2mm Flat Washer</p>  <p>(H-H) 10 pcs.</p>	<p>5mm Allen Key</p>  <p>(H-I) 1 pc.</p>

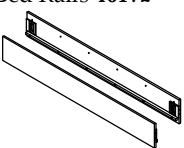



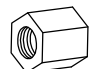


Hardware and Parts packed with the Footboard

<p>Panel Footboard 46175</p>  <p>(F-A) 1 pc.</p>	<p>Wood Slats 61" long</p>  <p>(F-B) 4 pcs.</p>	<p>Support Leg (D) 9-1/4" x (W)1- 1/4"(H) 1- 1/4"</p>  <p>(F-C) 4 pcs.</p>	<p>#8 x 1" Wood Screw</p>  <p>(F-D) 8 pcs.</p>
--	--	--	---

Hardware and Parts packed with the Storage Footboard

<p>Storage Footboard 46173</p>  <p>(F-A1) 1 pc.</p>	<p>Wood Slats (61" x 80-7/8")</p>  <p>(F-B1) 1 Set.</p>	<p>Center Support Front Rails 1206mm*101mm*19mm</p>  <p>(F-C1) 1 pc.</p>	<p>Center Support Back Rails 1089mm*101mm*19mm</p>  <p>(F-C2) 1 pc.</p>	<p>Center Support Leg 349mm*38mm*38mm</p>  <p>(F-D1) 1 pc.</p>	<p>Storage Support Leg 223mm*32mm*32mm</p>  <p>(F-E) 2 pcs.</p>
<p>Ø5/16"x 18 x 1- 1/2" Allen Head Bolt</p>  <p>(F-F) 6 pcs.</p>	<p>Ø5/16"x 18 x 2- 3/4" Allen Head Bolt</p>  <p>(F-G) 2 pcs.</p>	<p>Ø5/16" Spring Washer</p>  <p>(F-H) 8 pcs.</p>	<p>Ø5/16" x 19*2mm Flat Washer</p>  <p>(F-I) 8 pcs.</p>	<p>5mm Allen Key</p>  <p>(F-J) 1 pc.</p>	<p>#8 x 1" Wood Screw</p>  <p>(F-K) 8 pcs.</p>

Hardware and Parts packed with the Bed Rail

<p>Bed Rails 46172</p>  <p>(R-A) 2 pcs.</p>	<p>Ø5/16 x 3-1/2" All-Thread Bolt</p>  <p>(R-B) 8 pcs.</p>	<p>Ø5/16" x 16*2mm Flat Washer</p>  <p>(R-C) 8 pcs.</p>	<p>Ø5/16" Spring Washer</p>  <p>(R-D) 8 pcs.</p>	<p>Ø5/16 Nut</p>  <p>(R-E) 8 pcs.</p>	<p>Open Wrench 12mm</p>  <p>(R-F) 1 pc.</p>	<p>4mm Allen Key</p>  <p>(R-G) 1 pc.</p>
--	---	--	---	---	--	---

5/0 Queen Bed

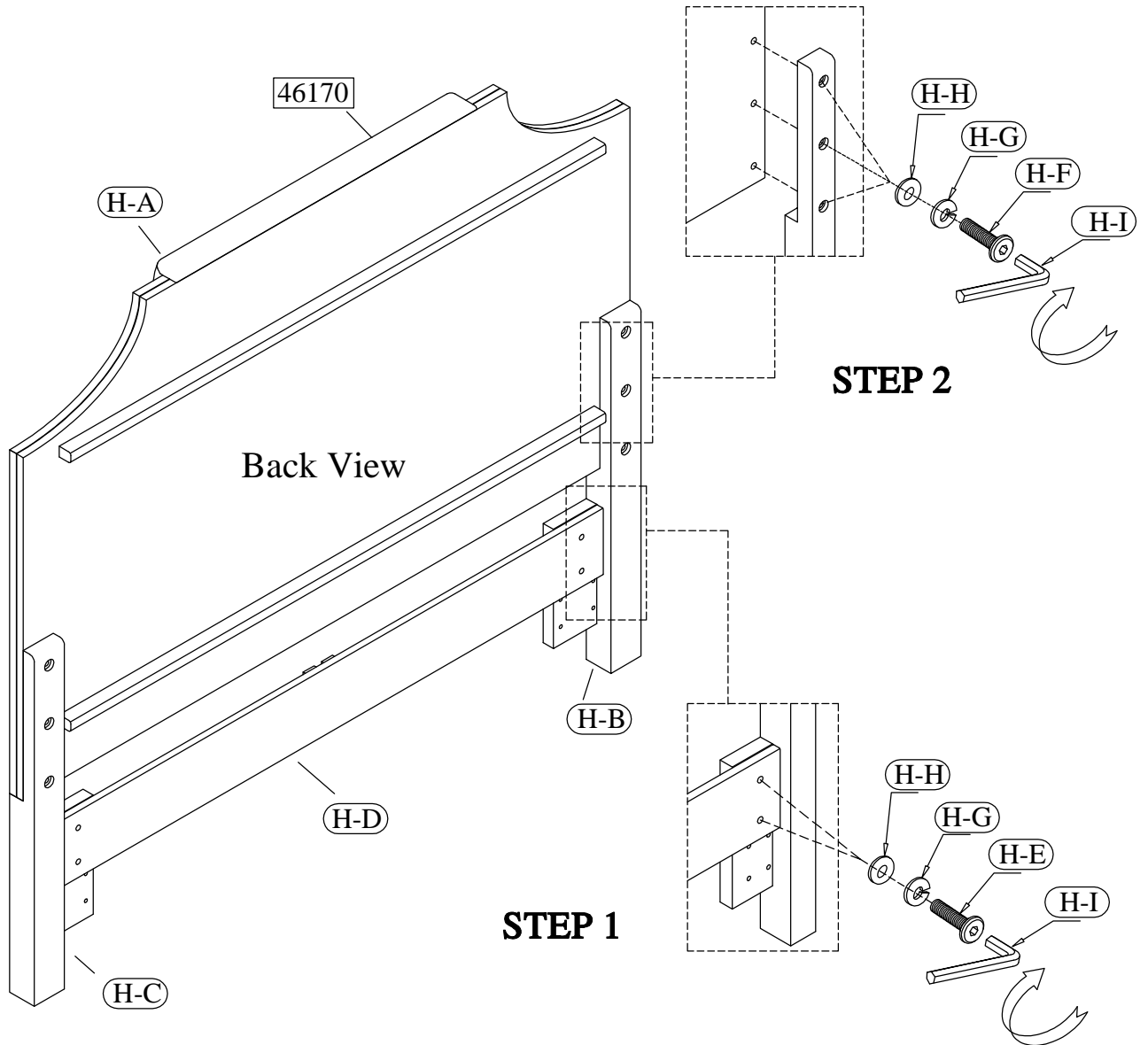
46170 -- 4/6-5/0 Uph Headboard

46175 -- 5/0 Panel Footboard

46173 -- 5/0 Uph Bench Storage Footboard

46172 -- 5/0-6/6 Bed Rails

5/0 Queen Bed
46170 -- 4/6-5/0 Uph Headboard

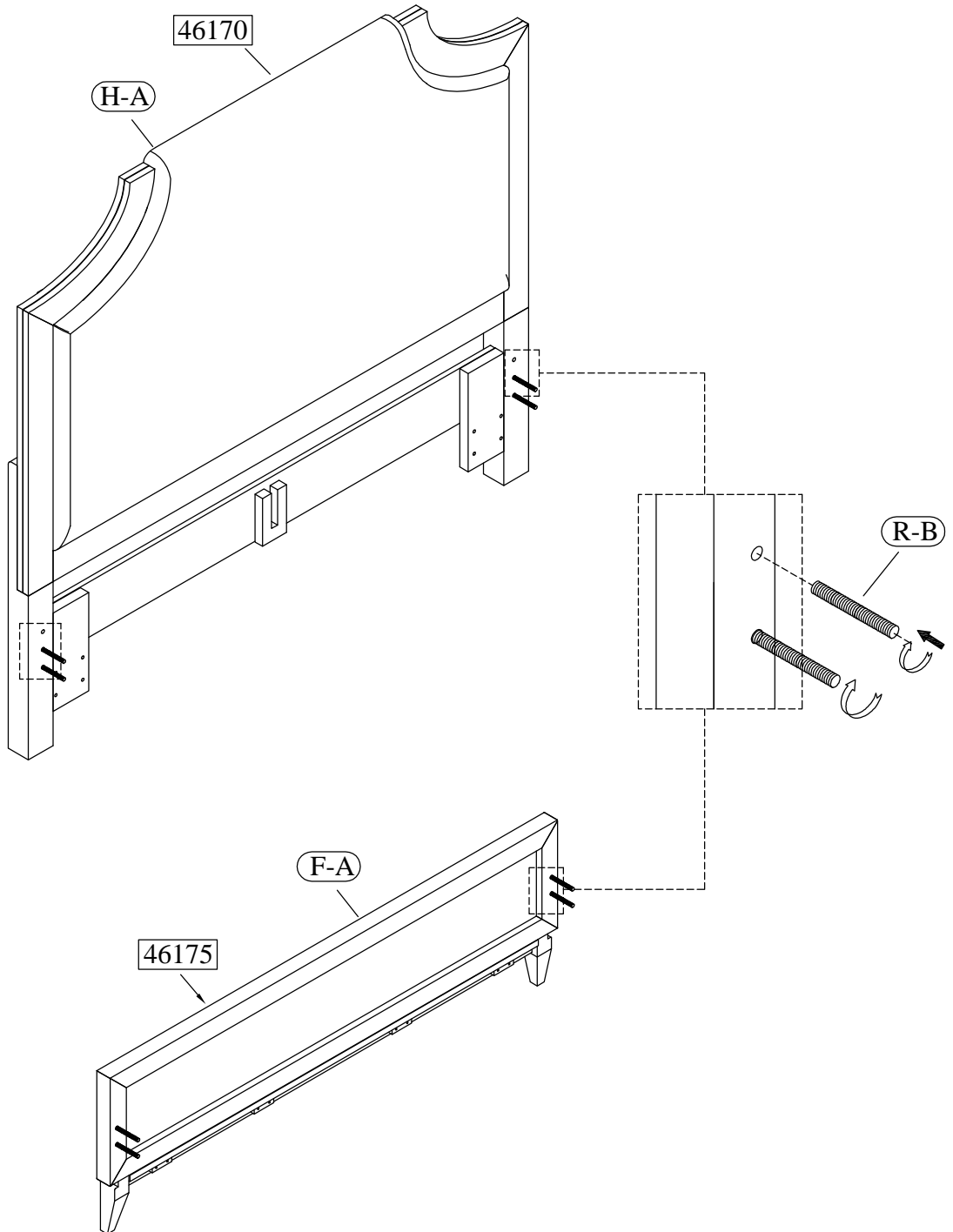


5/0 Queen Bed

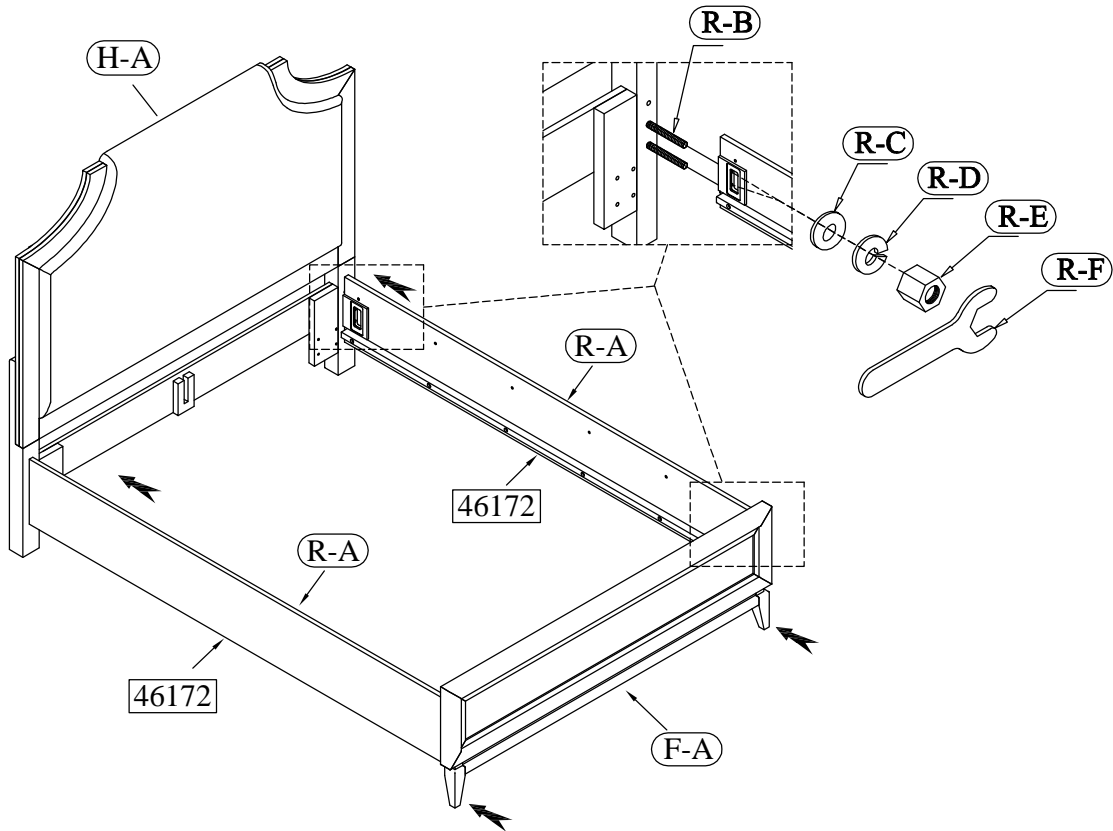
46170 -- **4/6-5/0 Uph Headboard**

46175 -- **5/0 Panel Footboard**

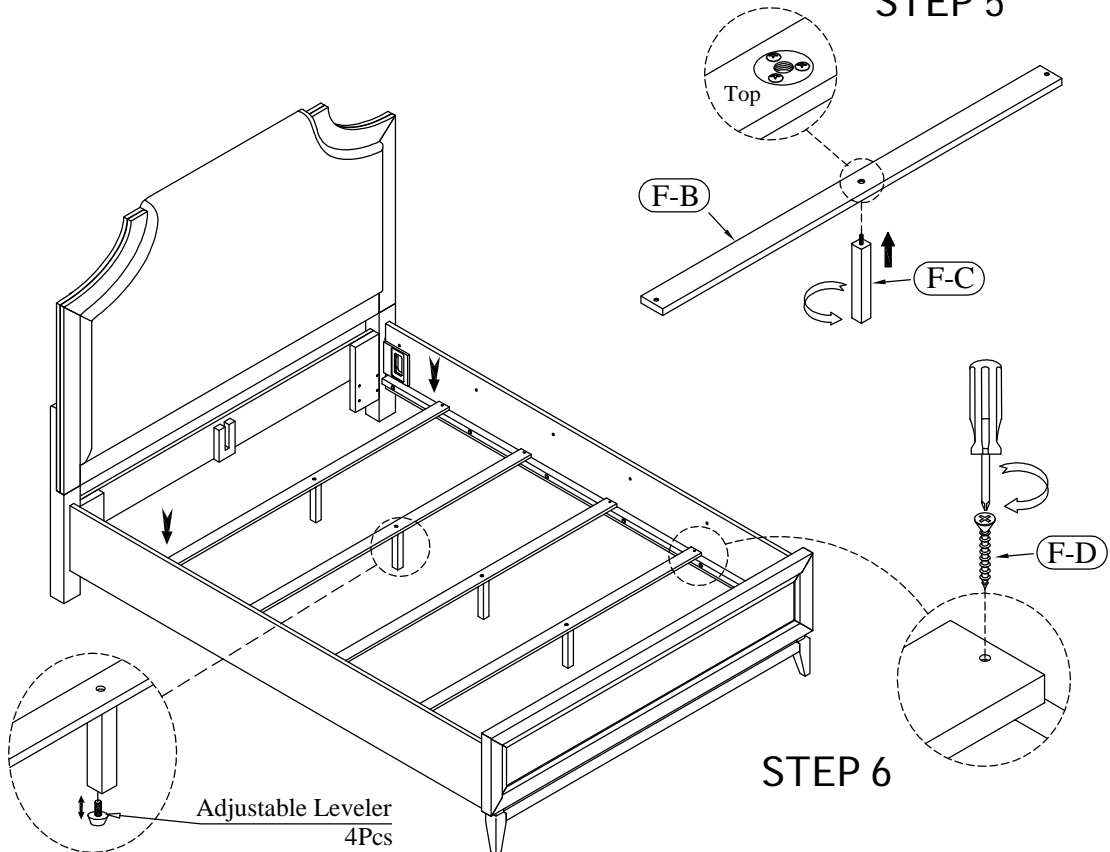
STEP 3



STEP 4



STEP 5



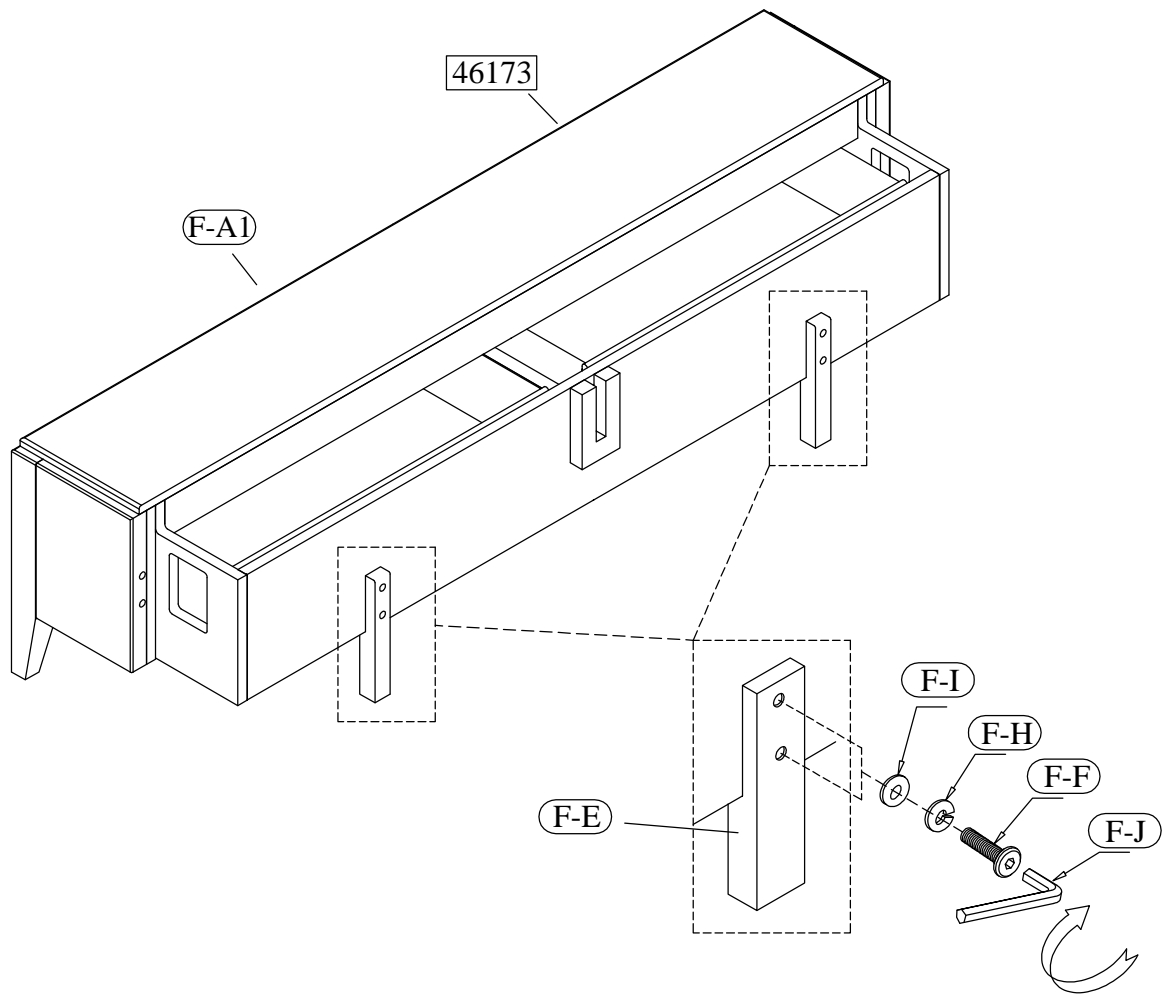
STEP 6

Adjustable Leveler
4Pcs

5/0 Queen Bed

46173 -- 5/0 Uph Bench Storage Footboard

STEP 7

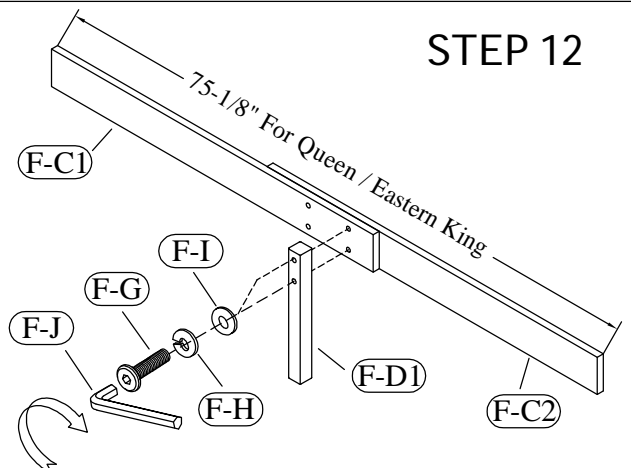
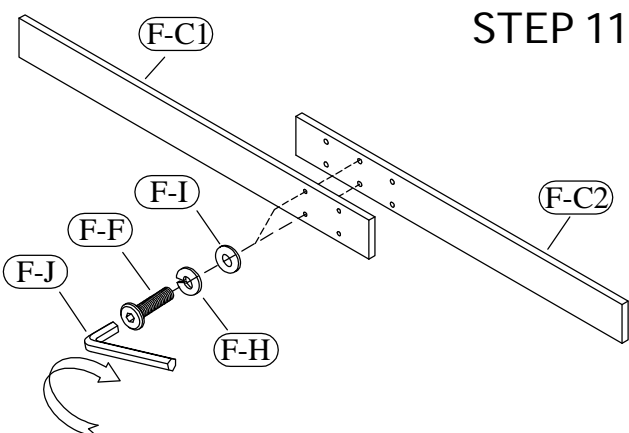
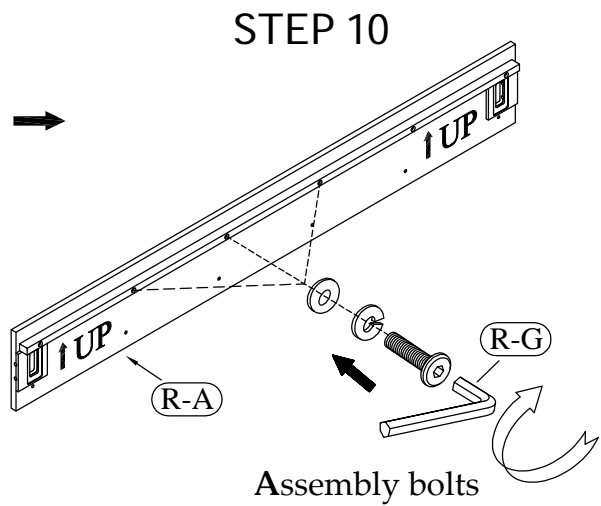
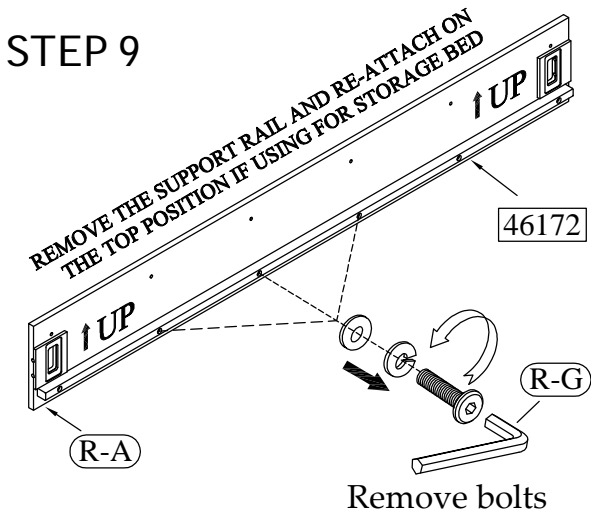
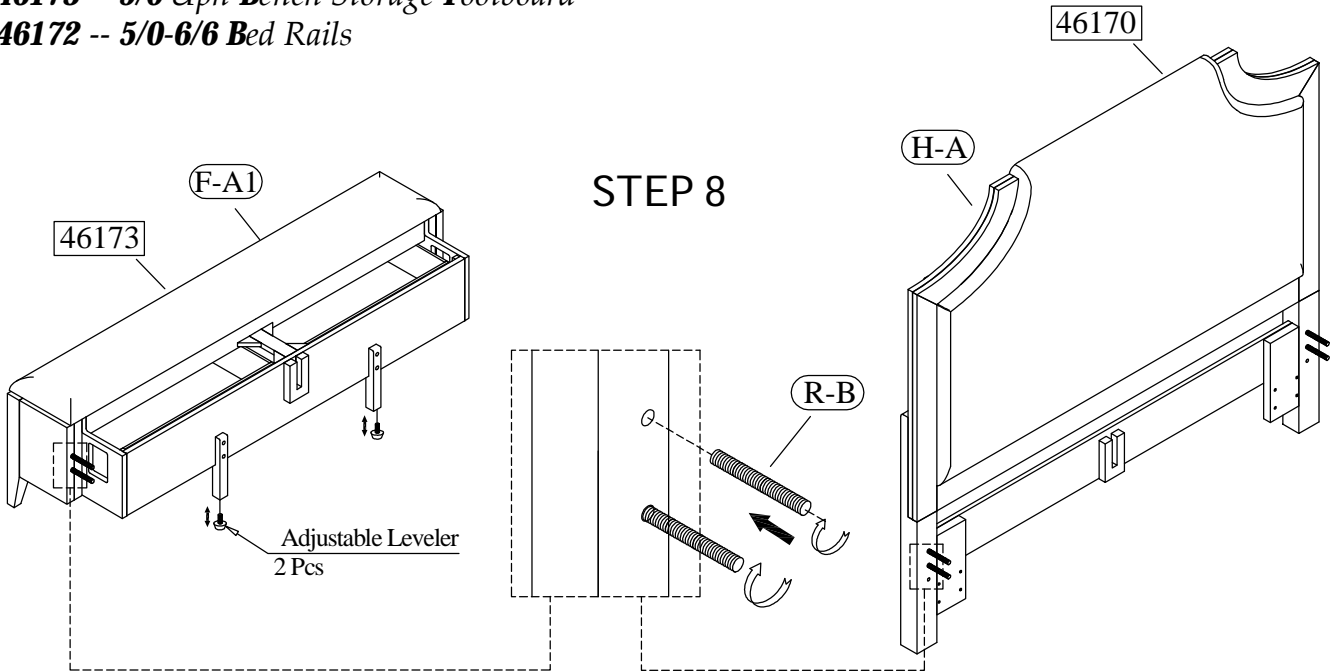


5/0 Queen Bed

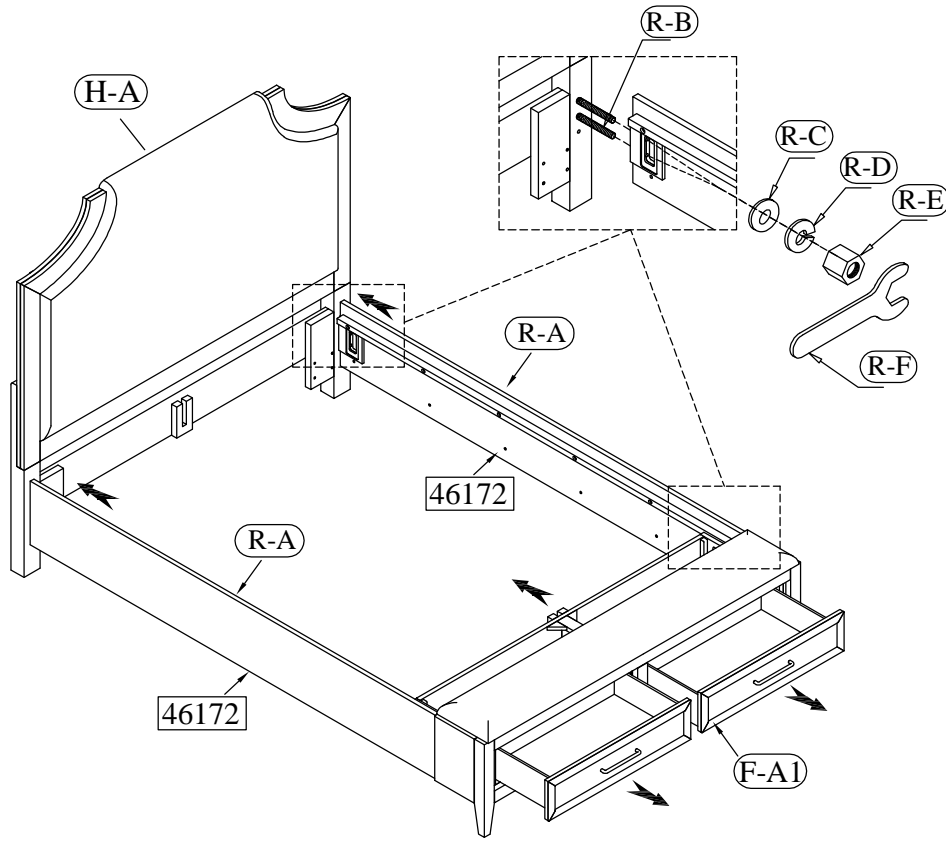
46170 -- 4/6-5/0 Uph Headboard

46173 -- 5/0 Uph Bench Storage Footboard

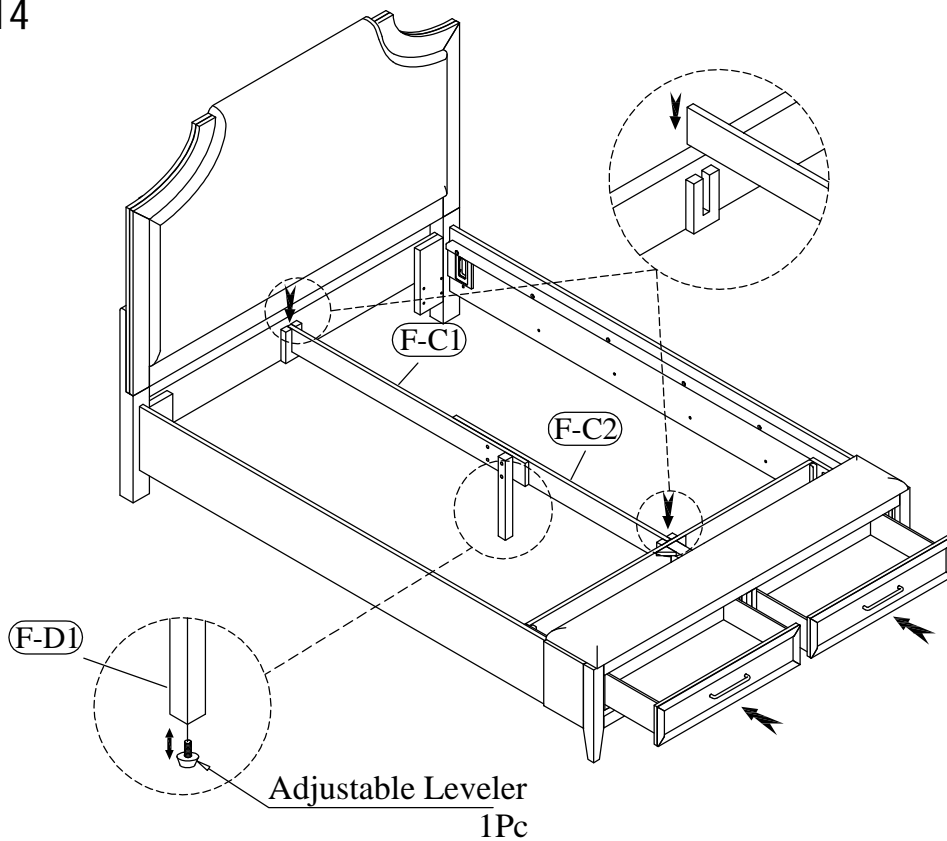
46172 -- 5/0-6/6 Bed Rails



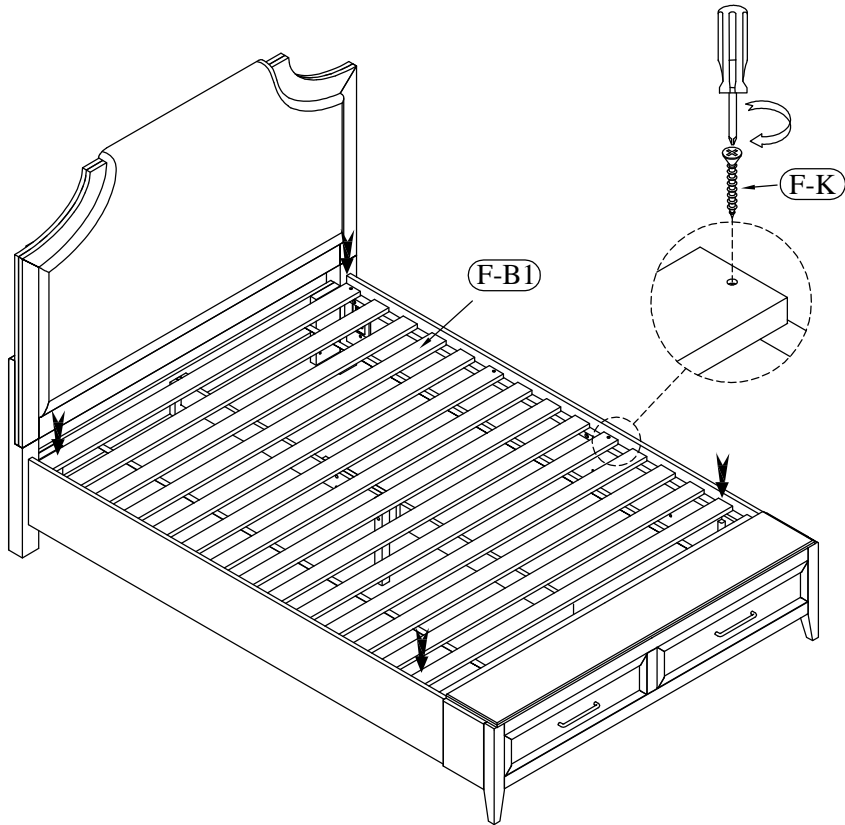
STEP 13



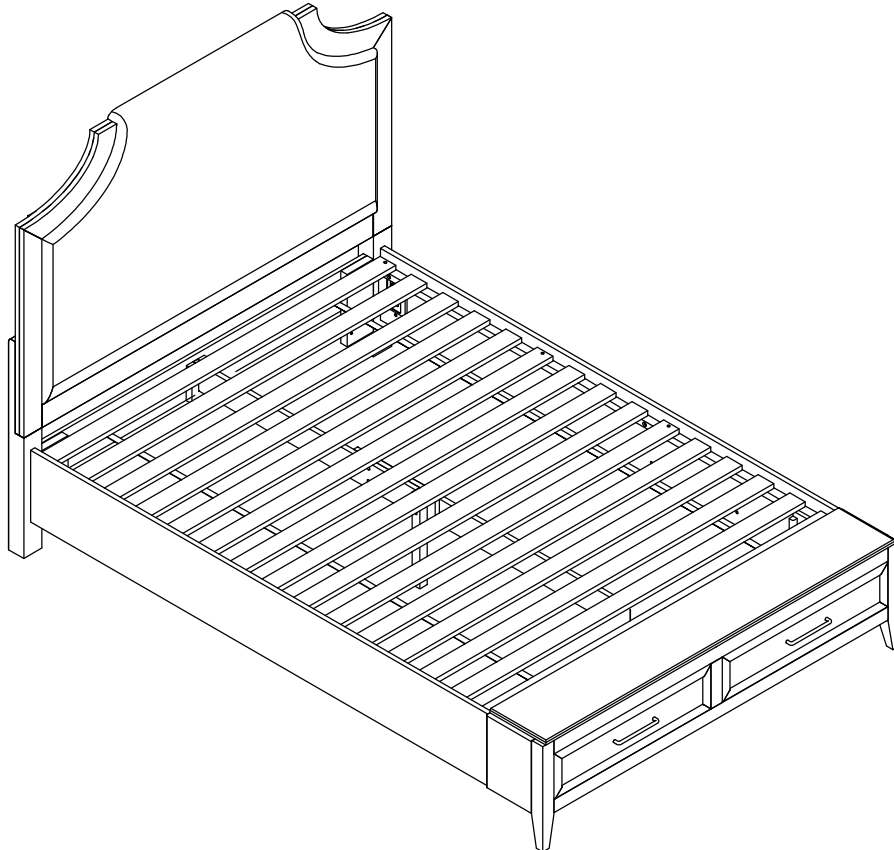
STEP 14



STEP 15

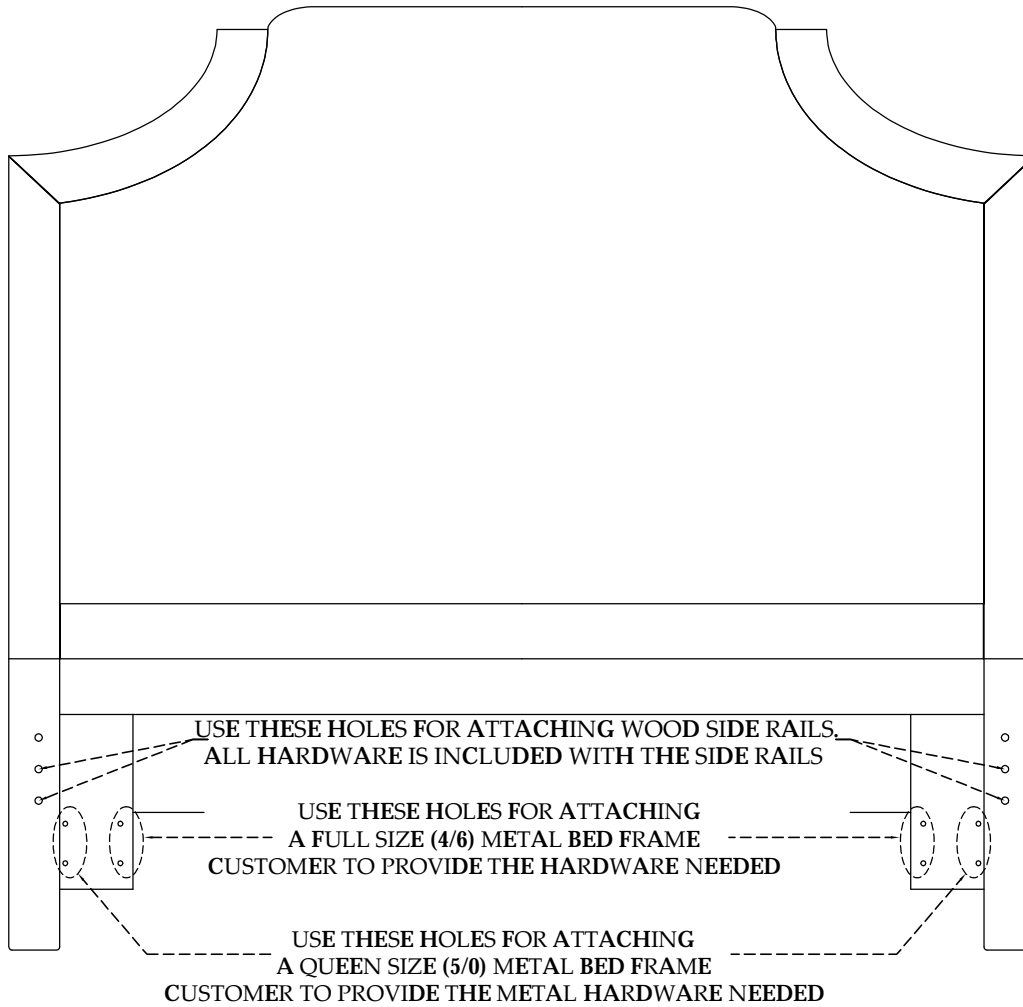


COMPLETE



5/0 Queen Bed

46170 -- 4/6-5/0 UPH Headboard



4/6 & 5/0 Bed
THE HEADBOARD MAY BE USED ALONE WITH
A QUEEN OR FULL SIZE METAL BED FRAME.